



WELDING GENERATOR GM 5-200 HBM

The images are for reference

WELDING PROCESS



Shielded Metal Arc welding SMAW (STICK)



FEATURES

- Arc welding source in D.C. welding
- A.C. generator, single-phase
- Protective frame with central lifting eye
- Engine shut down for low oil level (oil alert)
- Thermal protection for welding circuit
- Thermal protection for generator sockets
- Differential protection (on request)
- Compliant with EC / EU Directives

DEFINITIONS

SMAW: Coated electrode welding is an arc welding with protected metal.

GMAW: welding is an arc process with metal under gas protection.

FCAW (FLUX CORED): The process with cored wires is very similar to MIG / MAG welding. Continuous wire is not full but consists in a metal strip that wraps a powders core (flow).

GTAW: is a welding process that uses a tungsten electrode that cannot melt.



air cooled



diesel



manual recoil

ENGINE 3000 RPM

4-TEMPI, OHV	
Model	HONDA - GX 390
* Stand-by net power	8.2 kWm (11.1 hp)
* PRP net power	6.4 kWm (8.7 hp)
* COP net power	/
Cylinder / Displacement	1 / 389 cm ³ (0.39 lt.)
Bore / Stroke	88 / 64 (mm)
Compression ratio	8.2 : 1
BMEP (Brake Mean Effective Pressure : LTP - PRP)	/
Speed governor type	Mechanical
FUEL CONSUMPTION	
110 % (Stand-by power)	3.5 lt./h
100 % of PRP	3.2 lt./h
75 % of PRP	2.4 lt./h
50 % of PRP	1.6 lt./h
25% of PRP	
COOLING SYSTEM	
Total system cap. - only engine	/
Fan air flow	

* Potenze dichiarate in accordo a ISO 3046-1

LUBRIFICATION SYSTEM	/
Total oil system capacity	1.1 lt.
Oil capacity in sump	/
Oil consumption at full load	
EXHAUST SYSTEM	
Maximum exhaust gas flow	/
Max. exhaust gas temp.	/
Maximum back pressure	/
External diameter exhaust pipe	/
ELECTRICAL SYSTEM	
Starter motor power	/
Battery charging alternator cap.	/
Cold start	/
AIR FILTER	Dry
Combustion air flow	/
HEAT REJECTED AT FULL LOAD	
To exhaust system	/
To water and oil	/
Radiated to room	/
To charge cooler	/



CHARACTERISTICS OF WELDING AND GENERATION

C.C. WELDING

CONSTANT CURRENT

Current range	40A / 21.6V ÷ 200A / 20V
Type of regulation	Step adjustment
Duty cycle	160A / 26.4V - 60% 120A / 24.8 - 100%
Open circuit voltage	85V
Arc force control	No

GENERAL SPECIFICATIONS

Fuel tank capacity	6.1 l
Fuel consumption (welding 60%)	2.1 l/h
Running time (welding 60%)	2.9 h
Battery Starter	/

IP protection degree	IP 23
*Measured acoustic power LwA (pressure LpA)	97 dB(A) (71 dB(A) @ 7 m)
*Guaranteed acoustic power LwA (pressure LpA)	97 dB(A) (71 dB(A) @ 7 m)

* Acoustic power according to European Directive 2000/14/EC

A.C. GENERATION

ALTERNATOR SYNCHRONOUS SINGLE-PHASE, SELF-EXCITED, SELF-REGULATED

Insulation class	H
------------------	---

AUXILIARY GENERATION

OUTPUT 1	
Type of source	Single-phase
Frequency	50 Hz
Power kVA (Power kW) Max	5kVA (5kW)
Power kVA (Power kW) PRP	4kVA (4kW)
Cos φ	1
Voltage	230V
Current Max	21.7A
Current PRP	17.4A

OUTPUT 2	
Type of source	Single-phase
Frequency	50 Hz
Power kVA (Power kW) Max	2.5kVA (2.5kW)
Power kVA (Power kW) PRP	2kVA (2kW)
Cos φ	1
Voltage	115V
Current Max	21.7A
Current PRP	17.4A

The use of the auxiliary generation is recommended for welding tools (grinding wheels, electric hammers, lights, etc.)

CONTROL PANEL

- Manual recoil
- Engine switch ON- OFF
- Choke
- Range welding selector
- Welding current selector
- Welding sockets
- Thermal circuit breaker for 230V/16A sockets
- Output sockets: 1x 230V 16A 2P +T CEE
1x 230V 16A 2P+T SCHUKO
- Earth terminal (PE)



WEIGHT - DIMENSIONS ACCESSORIES

GM 5-200 HBM

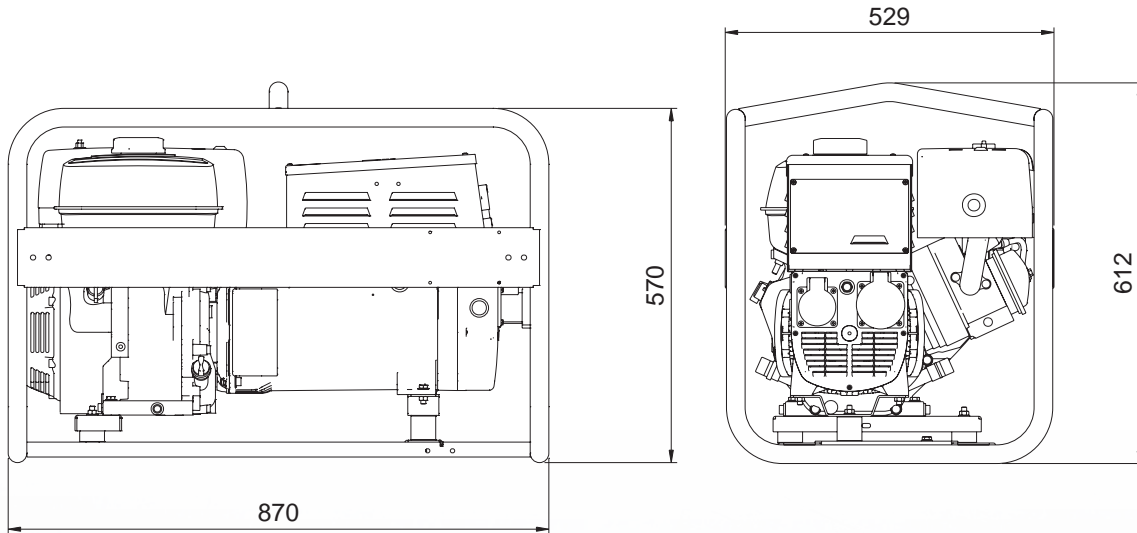


DRY WEIGHT:
• 97 Kg

The welding machine pictured may include optional accessories.



DIMENSION PICTURE



⊕ OPTIONS ON REQUEST

- Welding kit (mask, gloves, etc.)
- Welding cables: K 200 (20+15m, 35mm²)
- Manual trolley CTM-GM5-200
- Carrying Kit TRM-MW200D
- Remote control extension
- Earthing kit

⊙ VERSION ON REQUEST

- 230V/115V version

Ⓜ FACTORY INSTALLATION OPTIONS

- ELCB-GFI (Ground Fault Interruptor)

GENERAL INFORMATION

COMPLIANCE GENERATING SETS WITH EC DIRECTIVES AND STANDARDS

2006/42 / EC (Machines Directive)
 2014/35 / EU (Low Voltage Directive)
 2014/30 / EU (EMC Directive)
 2000/14 / EC (Directive Acoustic Emission for machines for use outdoors)
 ISO 8528 (Reciprocating internal combustion engine driven alternating current generating sets)



ISO 9001:2015 - Cert. 0192

WARRANTY

All devices are covered by the manufacturer's warranty.

The company reserves the right to change this specification without notice. For further information please contact the sales department.

© MOSA - Viale Europa, 59 - 20090 Cusago (Milano) - Italy - phone +39-0290352.1 - fax + 39-0290390466 E-mail: info@mosa.it Web site: www.mosa.it

